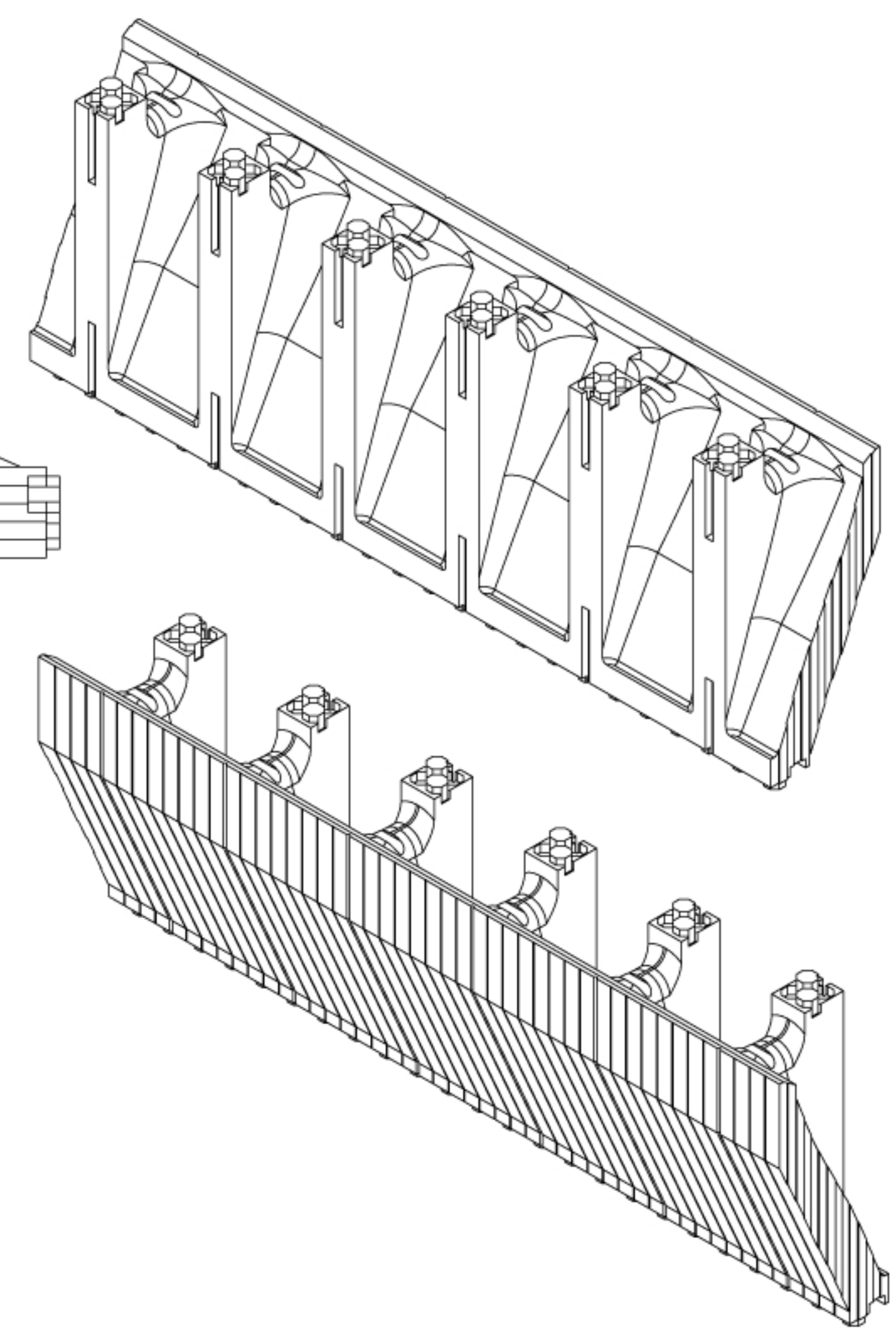
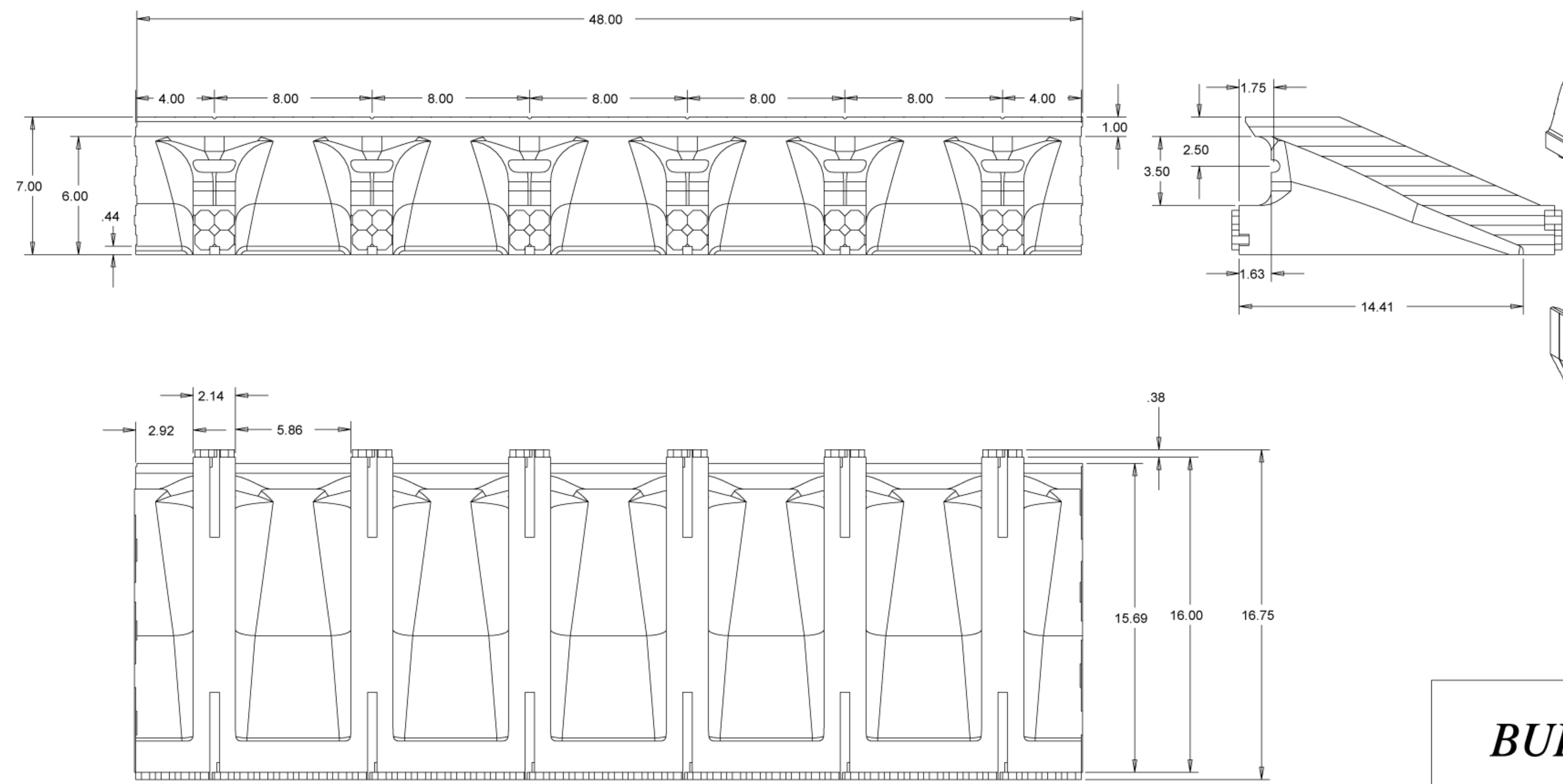


REVISION RECORD			
REV	DESCRIPTION	BY	DATE
A	INITIAL RELEASE	RLS	29-Jul-08



# BUILDING PRODUCTS

PART #	EPSBL
CUST. NAME	FORMTECH
THIS PART IS MADE FROM MOLD NUMBER -	
DATE: 17-Jul-06	PAGE: 1 of 1
PAGE SIZE: D	SCALE: 0.143
CUST. PART:	EPSBL
DRAWN BY:	
APPROVED BY:	
TECH. CENTER:	
FILENAME:	EPSBL_DESIGN-PRINT

TOLERANCE  
UNLESS OTHERWISE SPECIFIED:  
±1/32" < 6"  
±1/2% > 6"

UNIT:	INCH
WEIGHT:	XXX Lbs
VOLUME:	XXX in^3
DENSITY:	1.5 lb/ft^3
MATERIAL:	MODIFIED EPS

THIS DRAWING CONTAINS PROPRIETARY DESIGN INFORMATION & REMAINS ALONG WITH THE PRODUCT OR PRODUCTS REPRESENTED HEREIN THE PROPERTY OF  
THIS DOCUMENT & THE INFORMATION IT CONTAINS MAY NOT BE COPIED, TRANSMITTED TO, OR USED BY ANY THIRD PARTY WITHOUT THE EXPRESS WRITTEN APPROVAL OF Formtech.

THE EPSBL CAN BE USED WITH ANY WEB COMBINATION AND USED WITH ANY OF THE OTHER 48" PANELS.