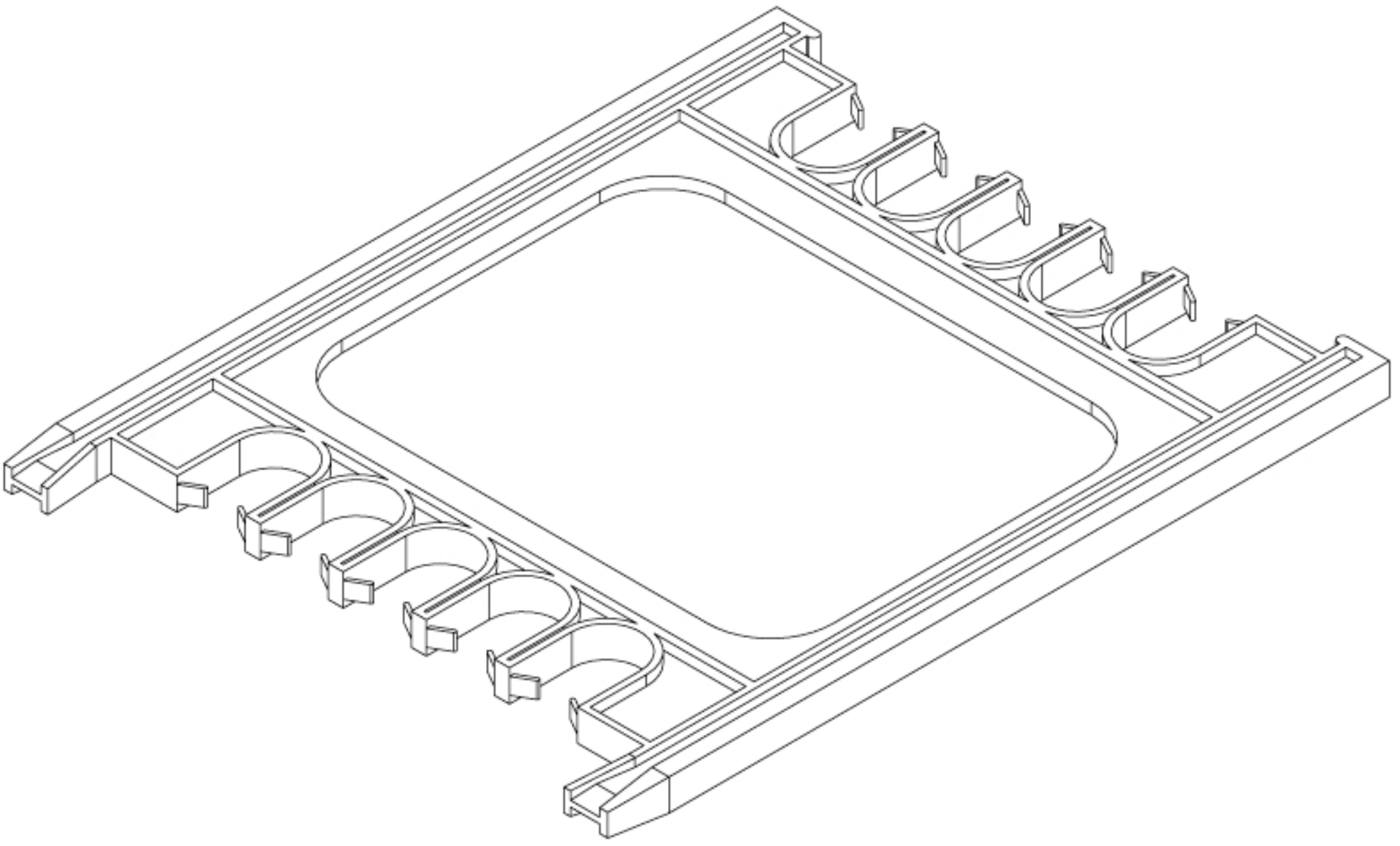
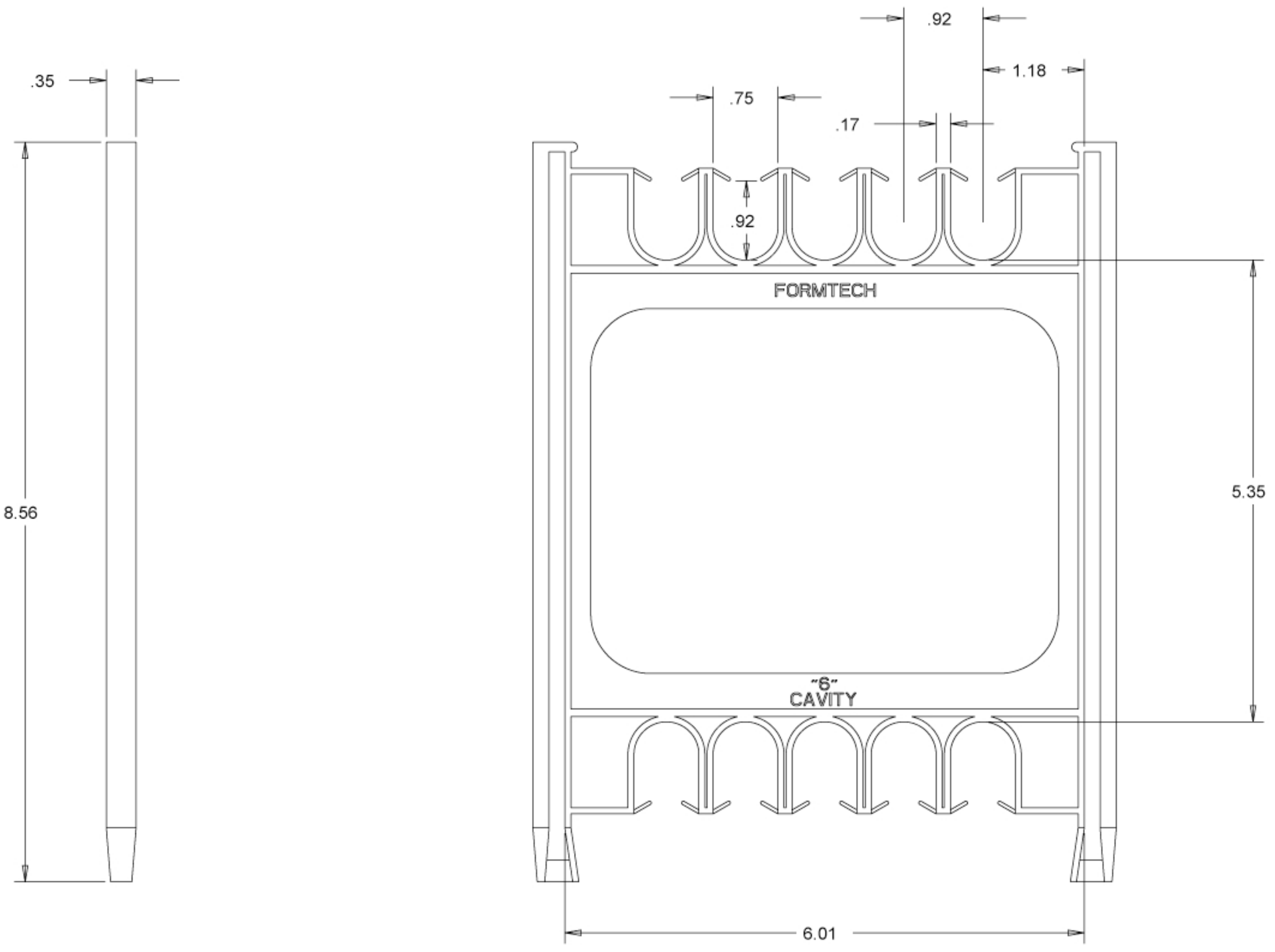


REVISION RECORD			
REV	DESCRIPTION	BY	DATE
A	INITIAL RELEASE	RLS	29-Jul-08



BUILDING PRODUCTS

PART #	WEB06R
CUST. NAME	FORMTECH
THIS PART IS MADE FROM MOLD NUMBER -	
DATE: 17-Dec-07	PAGE: 1 of 1
PAGE SIZE: D	SCALE: 1.000

TOLERANCE
UNLESS OTHERWISE SPECIFIED:
±1/32" < 6"
±1/2% > 6"

UNIT: INCH	CUST. PART: WEB06R
WEIGHT: XXX GRAMS	DRAWN BY:
VOLUME: XXX in^3	APPROVED BY:
DENSITY: N/A lb/ft^3	TECH. CENTER:
MATERIAL: PP	FILENAME: WEB06R_DESIGN-PRINT

THIS DRAWING CONTAINS PROPRIETARY DESIGN INFORMATION & REMAINS ALONG WITH THE PRODUCT OR PRODUCTS REPRESENTED HEREIN THE PROPERTY OF Formtech

THIS DOCUMENT & THE INFORMATION IT CONTAINS MAY NOT BE COPIED, TRANSMITTED TO, OR USED BY ANY THIRD PARTY WITHOUT THE EXPRESS WRITTEN APPROVAL OF Formtech